



RX-1 egg breaker

Description

Capacity: 3000-6500 eggs/hour

Replaces: 14 people

Power supply: 0.5 kW 230 V 1/N/PE 50/60 Hz
0.5 kW 110 V 1/N/PE 50/60 Hz

Dimensions: 1950x1163x1480 mm

Minimal workspace: 2950x2165 mm

The egg breaker imitates the work of human hands by cracking the eggshells with the use of special knives. The machine's high capacity is attributed to the use of a rotating knife mechanism. After being cracked open, eggs slide down a separator, where yolks are separated from egg whites. This most hygienic egg breaking method is an innovation by OVO-TECH. After completion of the job, the machine can be closed and cleaned with the use of a CIP system.

The RX-1 egg breaker breaks eggs using one row of highly specialized knife mechanisms. Eggs are automatically fed into the machine from a belt feeder.

Yolk and white separation is accomplished with the use of a single, compact size separator. The machine is made out of stainless steel EN 1.4301 (AISI 304).



Compressed air: n/a

Water: water from client's installation

Drain: n/a



Weight: 280 kg



Operated by: 1-2 persons



Compatibility: MX-1, UX-1, PS-1, VEL-30



OVO-TECH HQ

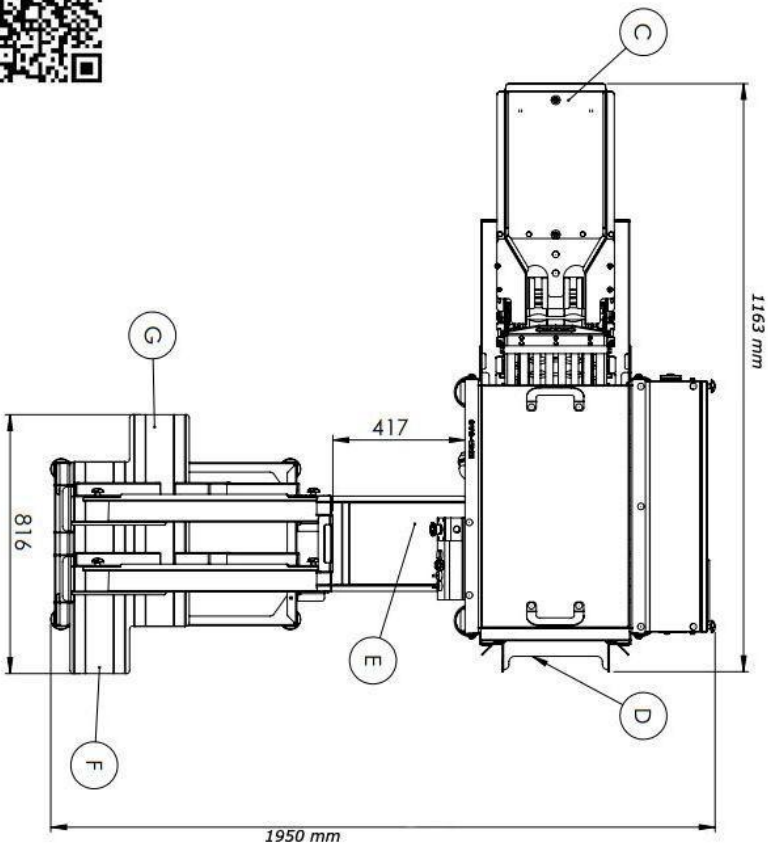
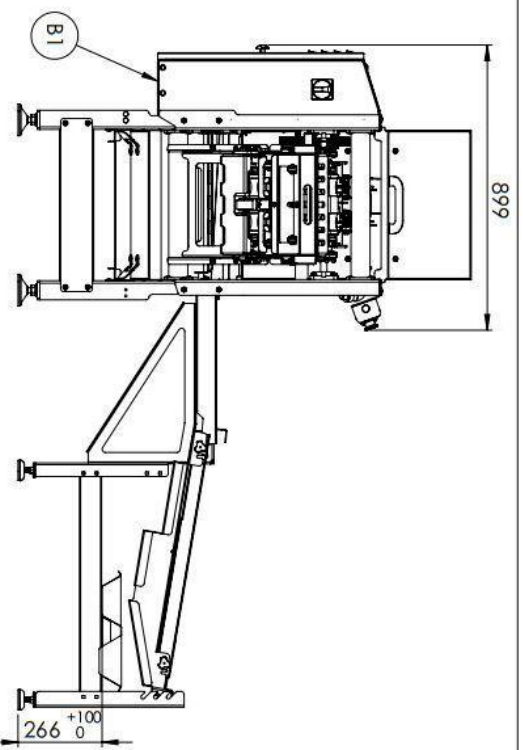
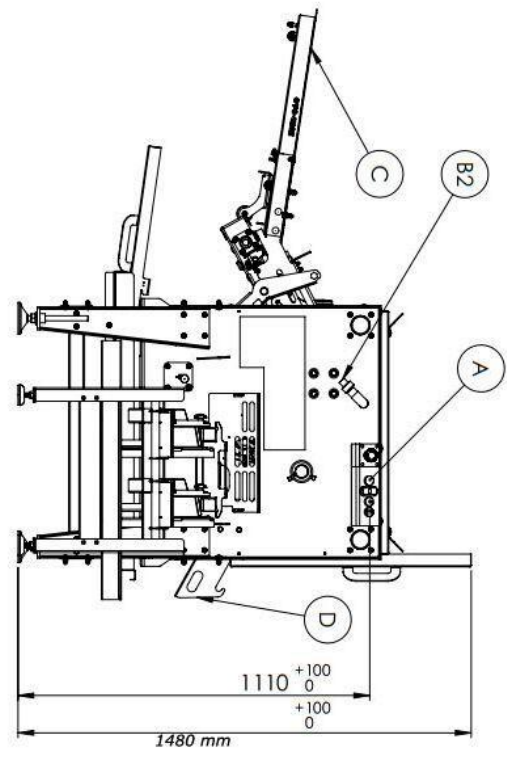
Boczna 43
27-200 Starachowice
Poland, European Union

Sales

Email: sales@egg-breakers.com
Tel (Int'l): +48 792 333 900

Social media





RX-1	
Typical workplaces:	egg breaking facilities, bakeries, confectioneries, pasta making companies
Capacity:	max 6000 eggs/hour
Power supply:	1 kW 230V 1/VAPE 50/60 Hz 1 kW 110V 1/VAPE 50/60 Hz + VFD
Water connection:	input 1"
Compressed air connection:	-
Minimal workspace:	2950 x 2165 mm
Dimensions:	1950 x 1163 x 1480 mm
Operated by:	1-2 person
Minimal wall clearance:	the rear side - 500 mm
Additional information:	N/A
A	control panel
B1/B2	eggs input
C	eggs output
D	eggs output
E	liquid egg output
F	egg white output
G	egg white output



EGG PROCESSING MACHINES
 All rights reserved.
 Information provided on this document is for informational purposes only. Any use of this material, including reproduction, distribution, or modification, without the prior written permission is strictly prohibited.