

## MX-0 tunnel egg washer

## Description

 **Capacity:** 3000 eggs/hour


 **Replaces:** 8 persons

 **Power supply:** 3 kW 230V 1/N/PE 50/60 Hz,  
3,35kW 110 V 1/N/PE 50/60 Hz

 **Dimensions:** 67x32x48 in

 **Minimal workspace:** 106x71 in

 **Compressed air:** n/a

 **Weight:** 386 lbs

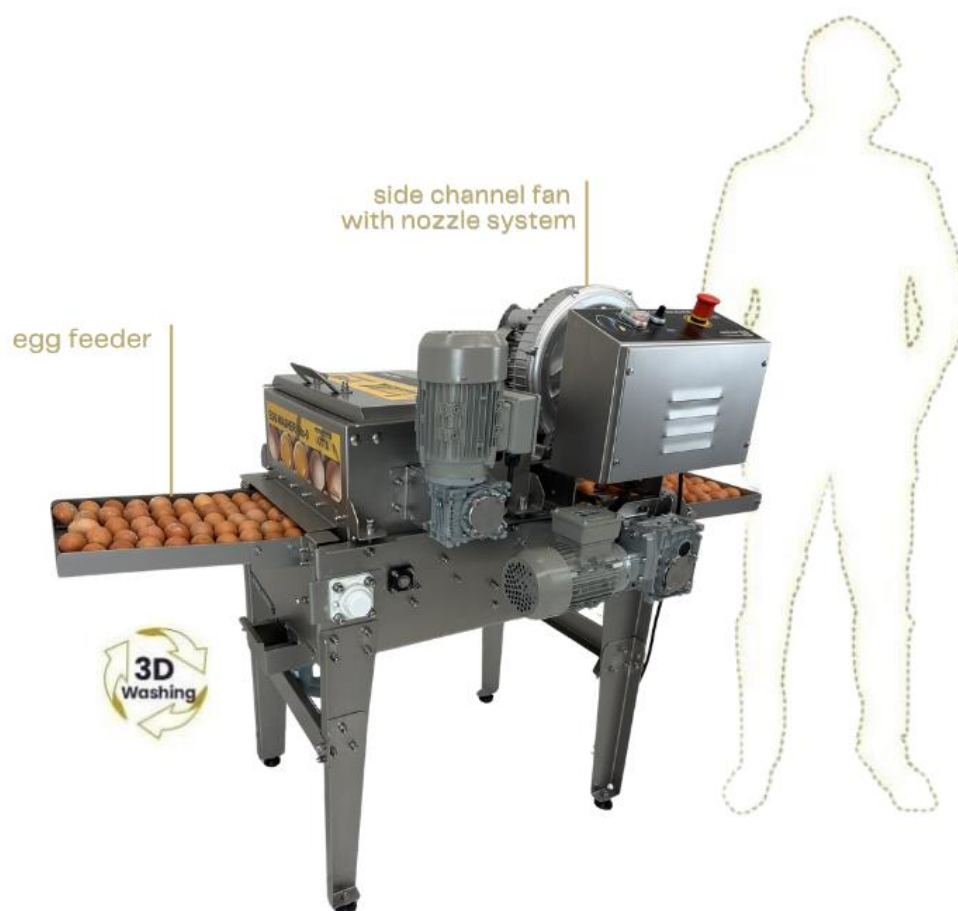
 **Water:** water from client's installation

 **Operated by:** 1 person

 **Drain:** required

 **Compatibility:** VEL-30

The MX-0 washes the eggs in a 3D fashion thanks to the use of specially designed rotating brushes which clean all of the eggs' surfaces. This allows for an exceptional level of cleanliness. First, the eggs are fed into the machine. There, thanks to the use of specially profiled rollers, the eggs are rotated along their axis, while specially designed brushes with warm water (20-45) °C wash the eggs at every angle, which results in a 3D washing effect. After washing, the eggs are transported into a drying section, where they are dried by a stream of warm air. The machine is made out of stainless steel EN 1.4301 (AISI 304).



### OVO-TECH HQ

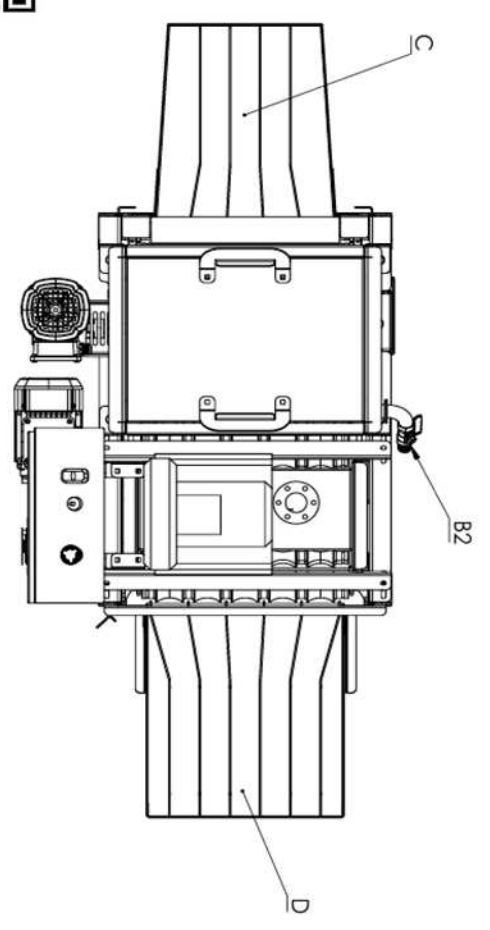
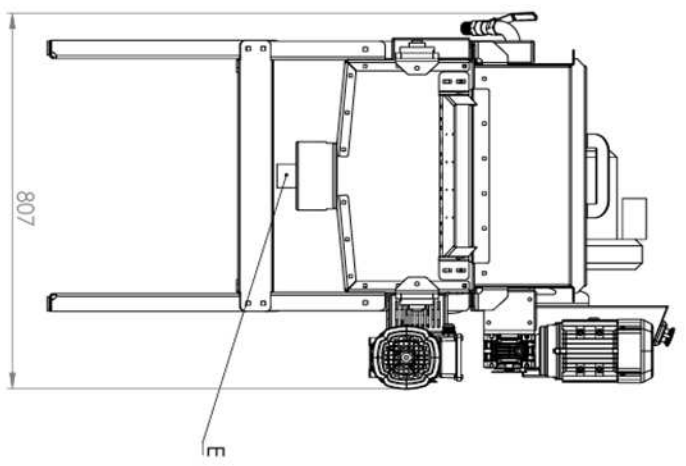
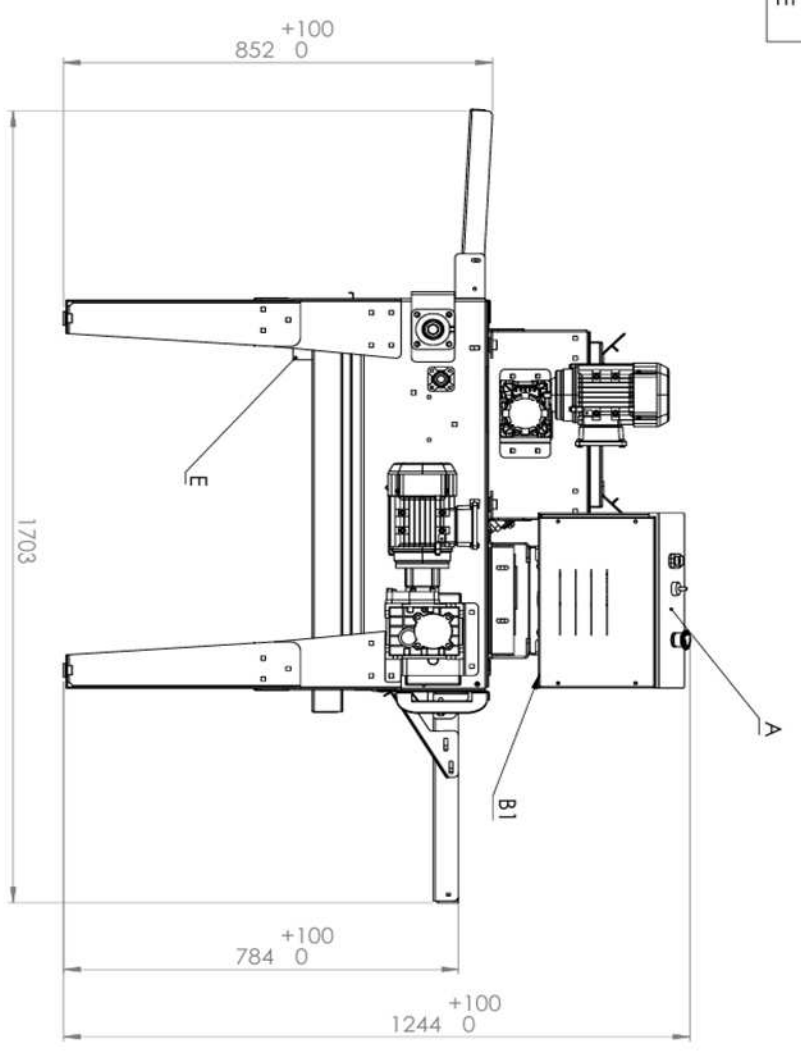
Boczna 43  
27-200 Starachowice  
Poland, European Union

### Sales

Email: [sales@egg-breakers.com](mailto:sales@egg-breakers.com)  
Tel (Int'l): +48 792 333 900

### Social media





MX-0	
Typical workplaces:	egg breaking facilities, bakeries, confectioneries, pasta making companies.
Capacity:	max. 3000 eggs/hour
Power supply:	3kW 230V 1~/N/PE 50/60 Hz 3.3kW 110V 1~/N/PE 50/60 Hz
Water connection:	input 3/4" HOT WATER 30°C MAX. 40°C output 2"
Compressed air connection:	-
Minimal workspace:	2700x 1600 mm 108" x 71"
Dimensions:	1703x 807 x 1244 67"x32"x49"
Operated by:	1-2 person
Minimal wall clearance:	the rear side - 600 mm 24"
Additional information	N/A
A	control panel
B1/B2	connections: electrical/water
C	eggs input
D	eggs output
E	eggs outlet
F	clean 2"
G	

**OVO TECH**  
 EGG PROCESSING MACHINES

All rights reserved. No part of this document may be reproduced, stored in a retrieval system, or transmitted in any form or by any means, electronic, mechanical, photocopying, recording, or by any information storage and retrieval system, without the prior written permission in writing from OVO TECH.